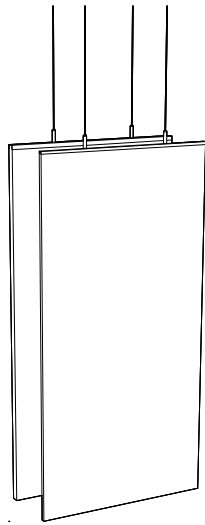


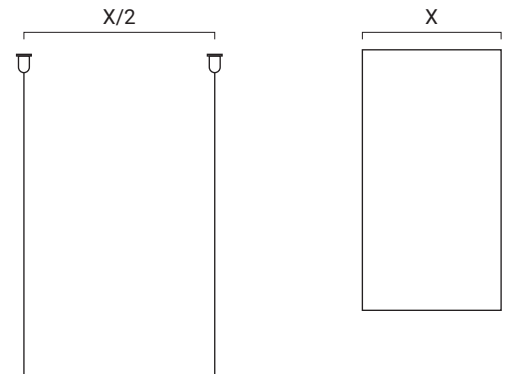
Screen Note™ Installation Guide



Pack Contents

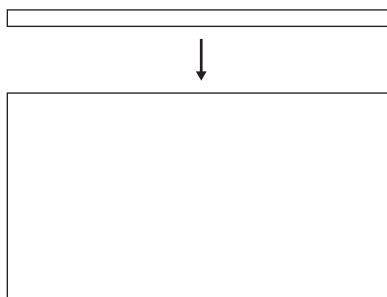
- 1 x Screen Note
- 1 x Note Channel
- 2 x Ceiling Mounts
- 2 x 1m Galvanised Cables
- 2 x M6 Suspension Units
- 2 x M6 Nuts

1



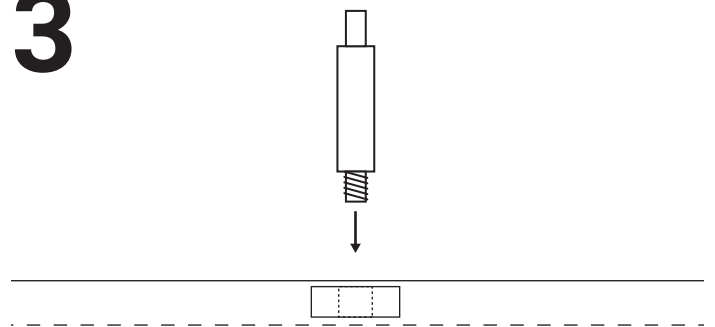
Mark out the centres for the ceiling mounts, this should be half the width of the Note™ (X). Install the mounts into your ceiling using appropriate fixtures at your chosen centres.

2



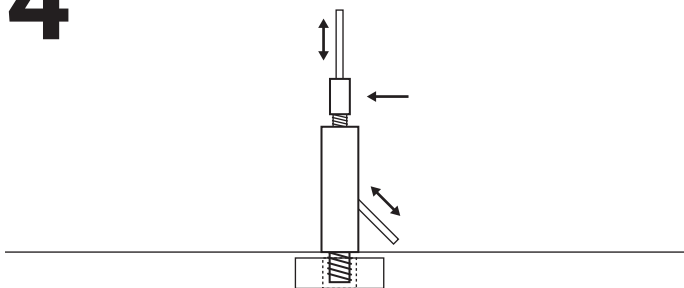
Next push the Note™ Channel on to the top of the Screen Note™, ensuring it is pushed all the way in.

3



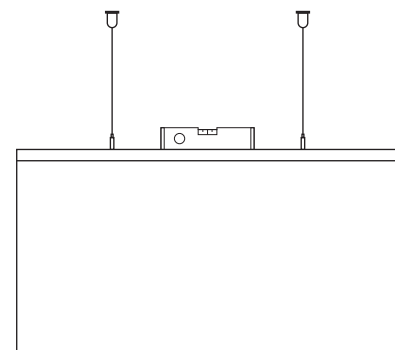
Slide the M6 Nuts into the top section of the channel and then screw in the M6 Suspension Units into the nut. Slightly unscrew the top section of the M6 Suspension Units and push the cable through the top.

4



The cable will come through the side of the unit. To do any minor adjustments press down on the top of the M6 Suspension Units, this will allow the cable to pass both ways.

5



Use a spirit level, to ensure the Note™ is aligned correctly. Once the Screen Note™ is at the desired height screw the top section of the M6 Suspension Units down and trim the excess cable using a wire cutter.