



# Soundproof Partition Guidance

A guide to creating soundproof partitions for builders, contractors and DIYers

[Company name] is a participant in the iKoustic affiliate advertising program. This means at zero extra cost to you [Company name] earns a commission payment for any iKoustic purchases you make as a result of using our custom links and phone numbers.

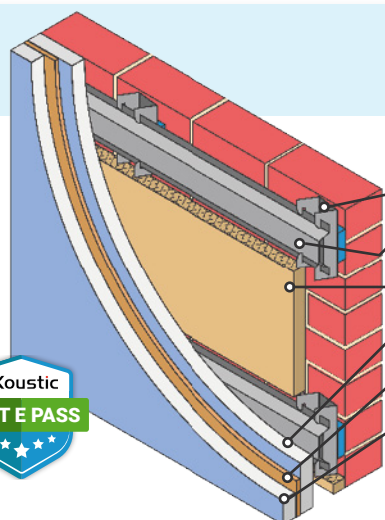


# Soundproof Partitions

**iKoustic**  
01937 588226

Below are a small selection of iKoustic's soundproofing partitions. All of our Part E systems are backed by laboratory and field tests, using relevant ISO standards. Over the past 10 years, we have developed a range of highly effective products that focus on decibel reduction whilst maintaining the slimmest footprint possible. These are perfect

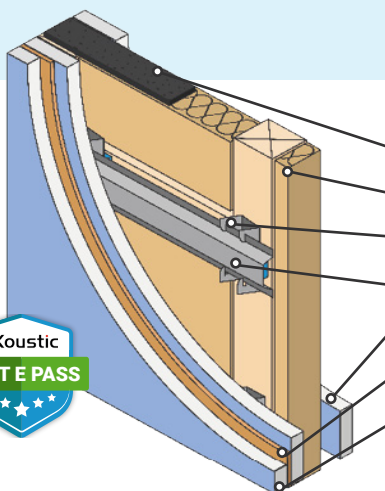
for meeting Part E regulations when renovating properties or dealing with noisy neighbours. The partitions below outline the build up of products used to deliver outstanding acoustic results. Full installation guides are available at [ikoustic.co.uk](http://ikoustic.co.uk). If you require any other support or installation advice contact your local supplier or call iKoustic's friendly support team.



## Wall Soundproofing partition MuteClip® Double Premium

**62dB**  
**+74mm**

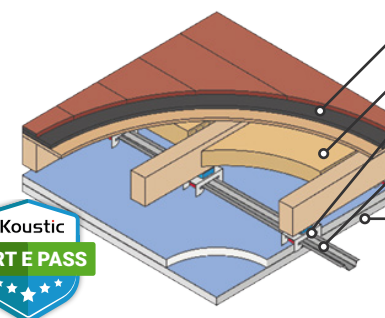
- Compliant with Part E regulations
- Popular for domestic upgrades
- Easy to install
- Slimmer than a stud frame (74mm + Brickwork)
- Unlike resilient channels install is acoustically foolproof
- High decibel reduction to cost ratio
- 62dB (DnT,w + Ctr) Airborne



## Wall Soundproofing partition MuteClip® Stud Double

**51dB**  
**+175mm**

- Suitable for metal and timber stud frames
- Compliant with Part E regulations
- Popular for residential and commercial premises
- Easy to install
- Unlike resilient channels install is foolproof
- High decibel reduction to cost ratio
- $R_w + C_{tr} = 51\text{dB}$ .



## Ceiling Soundproofing partition Timber Joist Partition

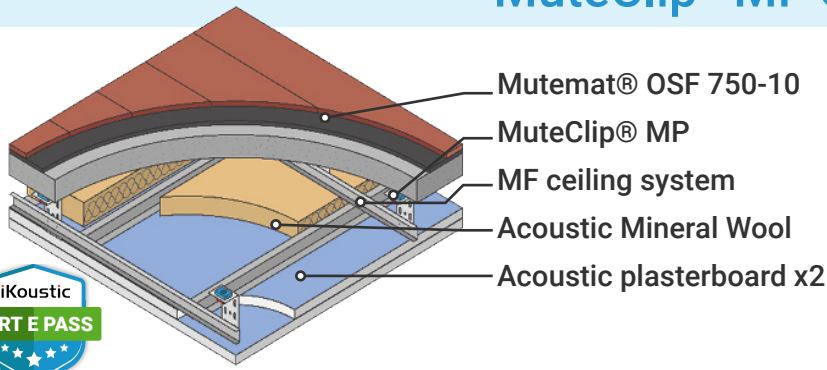
**55dB**  
**+98mm**

- Popular with new builds and change of use conversions
- Compliant with Part E regulations
- Solves intrusive noise transfer
- Easy install
- Underlay can accommodate many floor finishes
- Airborne.  $D_{nT,w} + C_{tr} = 55\text{dB}$ .
- Impact.  $L'_{nT,w} = 54\text{dB}$ .



## Concrete ceiling partition MuteClip® MF Ceiling

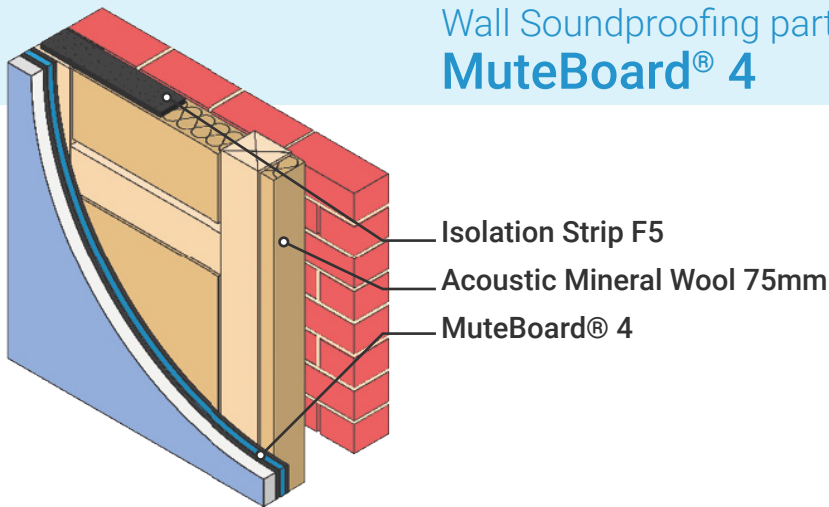
**60dB**  
**+190mm**



- Popular with new builds and change of use conversions
- Compliant with Part E regulations
- Solves intrusive noise transfer
- Easy install
- Underlay to suit under or over screed application
- Airborne 60dB (DnT,w + Ctr)
- Impact 51dB (L'nTw)
- 3mm and 5mm underlays available

## Wall Soundproofing partition MuteBoard® 4

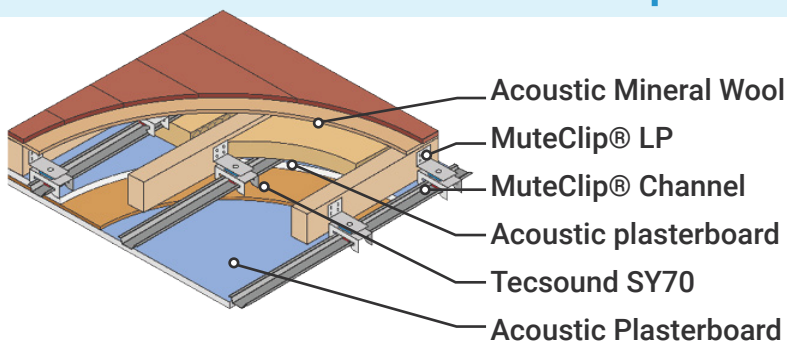
**53dB**  
**+127mm**



- Suitable for metal and timber stud frames
- Popular for residential and commercial premises
- Time efficient install
- Reduced parts list
- 127mm + Brickwork

## Ceiling Soundproofing partition MuteClip® LP Double

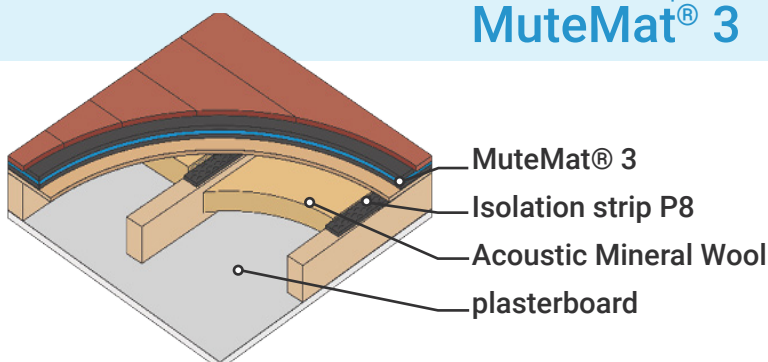
**54dB**  
**+39mm**



- MuteClip isolated frame without any height loss
- Popular with change of use and basement conversions
- Integral component of Part E systems
- Solves intrusive noise transfer

## Floor Soundproofing partition MuteMat® 3

**44dB**  
**+20mm**



- Reduces both impact and airborne noise
- Greatly reduces impact noise
- Works well with carpet and wood floor finishes
- Rigid layer can be used to suit all floor finishes
- Upgrades and alterations to increase performance are available

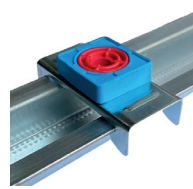
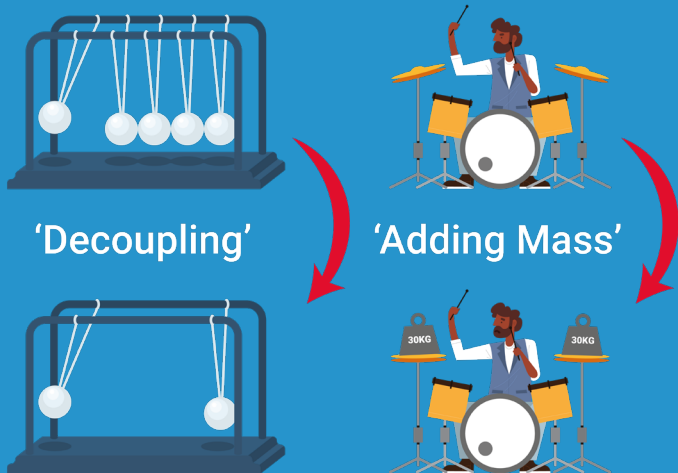
# The Science of Soundproofing

We could talk about soundproofing all day, unfortunately, we only have half a page so here's a whistle stop tour...

**The Decibel Scale** - Sound is measured in decibels. This is a logarithmic scale so can be a little counter intuitive. A good rule to remember, is that a 10dB difference is perceived by human ears as the doubling or halving of a sound. A normal conversation will come in at about 50dB and a noisy hair-dryer will come in at 70dB.

**Flanking transmission** - Sometimes intrusive noise is sneaky. It's a good idea to check if noise is travelling through ceiling joists or floorboards before soundproofing a wall, (you can listen through a glass for a better idea). You may need to fill these cavities if they are a noise source.

**Soundproofing Methods** - The two common methods for soundproofing buildings are either decoupling (e.g. MuteClip), or, adding mass (e.g. Tecsound). See the image below for more information.



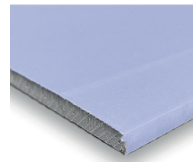
**MuteClip®** - Acts as a shock absorber surrounding the fixing and buffering the metal clip. MuteClip Channel is then 'clicked' into place to create a slimline, 'de-coupled' frame for plasterboards to be attached to.



**Acoustic Mineral Wool** - The following partitions are based on 60kg/m<sup>3</sup> mineral wool. This extra dense mineral wool comes in many thicknesses, and is excellent for soundproofing.



**Tecsound** - This high density viscoelastic membrane has remarkable vibration dampening properties and is commonly used when soundproofing floors, walls, and ceilings.



**Acoustic plasterboard** - Thick and dense plasterboard. One of the most cost effective ways to add mass to a wall or ceiling. It's common to use double layers of this board when soundproofing.



**MuteBoard®** - Various options are available. These prefab soundproof boards all include a facing of acoustic plasterboard backed with high-density materials for a slim and speedy soundproofing solution.



**MuteMat®** - Various options are available. This is a highly effective acoustic underlay, offering excellent impact noise reduction. Constructed with closed cell foam and mass loaded vinyl.



**MuteMat® OSF** - Flooring underlay for reducing impact noise. OSF has very low compression. This means that most flooring types can be laid straight on top of it with no need for overboard with plywood.



**Isolation Strips** - Various available. Self-adhesive granulated rubber strips to improve the performance of studs, joists and battens. Available in flat or pimped versions.